

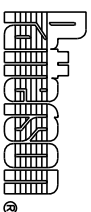
SITE VOLTAGE:

ROTATIONAL VIEWS

Confirmed by:

(Please complete & sign)

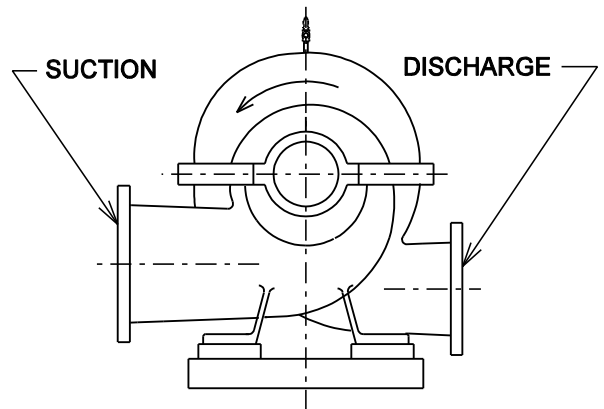
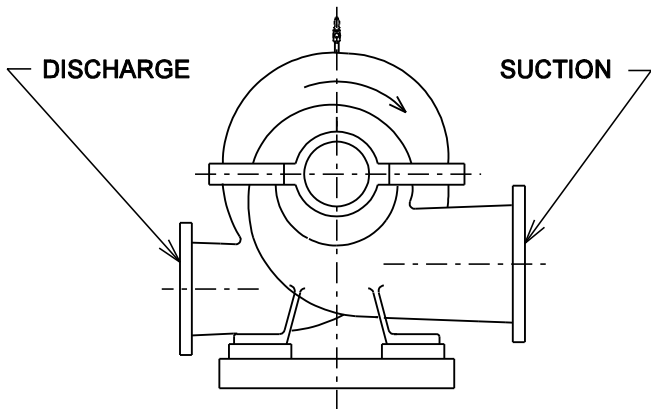
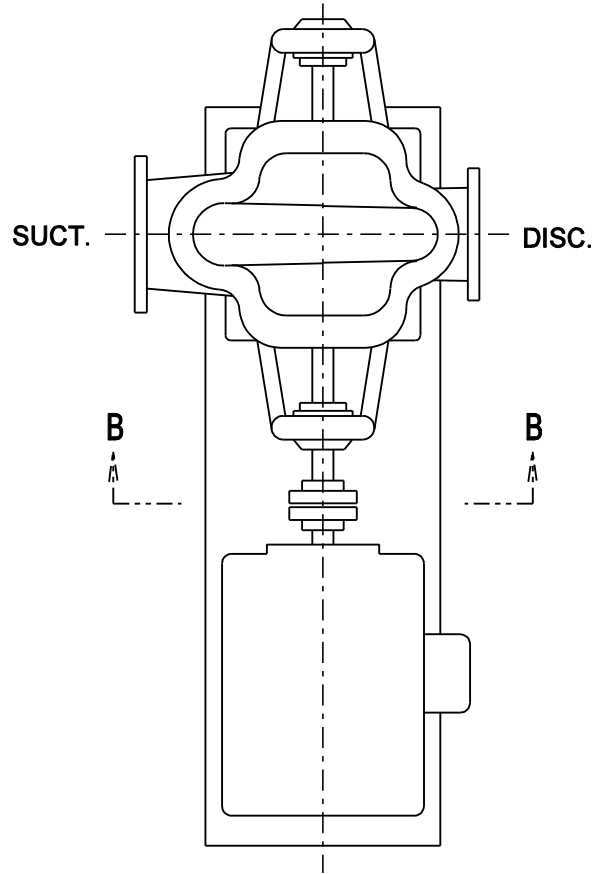
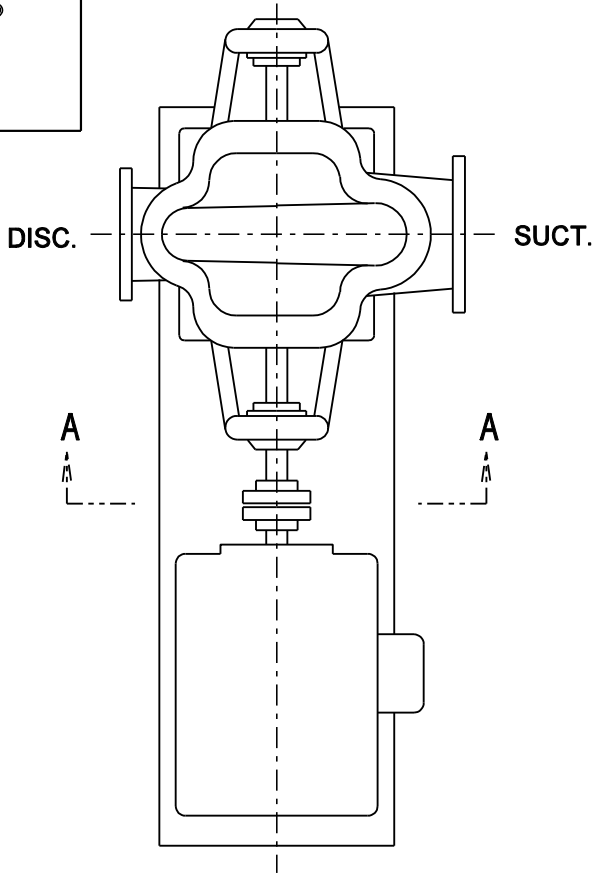
**PATTERSON PUMP COMPANY**  
 A SUBSIDIARY OF THE GORMAN-RUPP COMPANY



1 REV. EPR1814, 7/24/03, MC

CLOCKWISE ROTATION

COUNTERCLOCKWISE ROTATION



VIEW A-A

VIEW B-B

CW \_\_\_\_\_  
 PRINT SIGN

CCW \_\_\_\_\_  
 PRINT SIGN

ROTATION MUST BE VERIFIED BY END USER / CONSULTANT PRIOR TO MANUFACTURING.