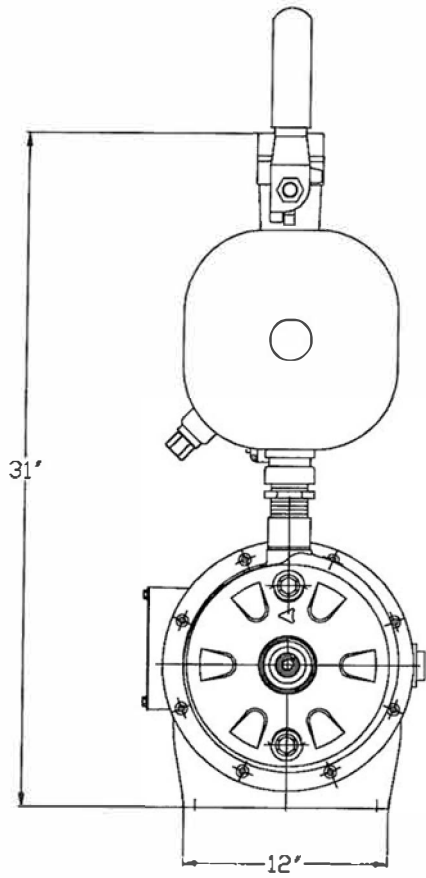
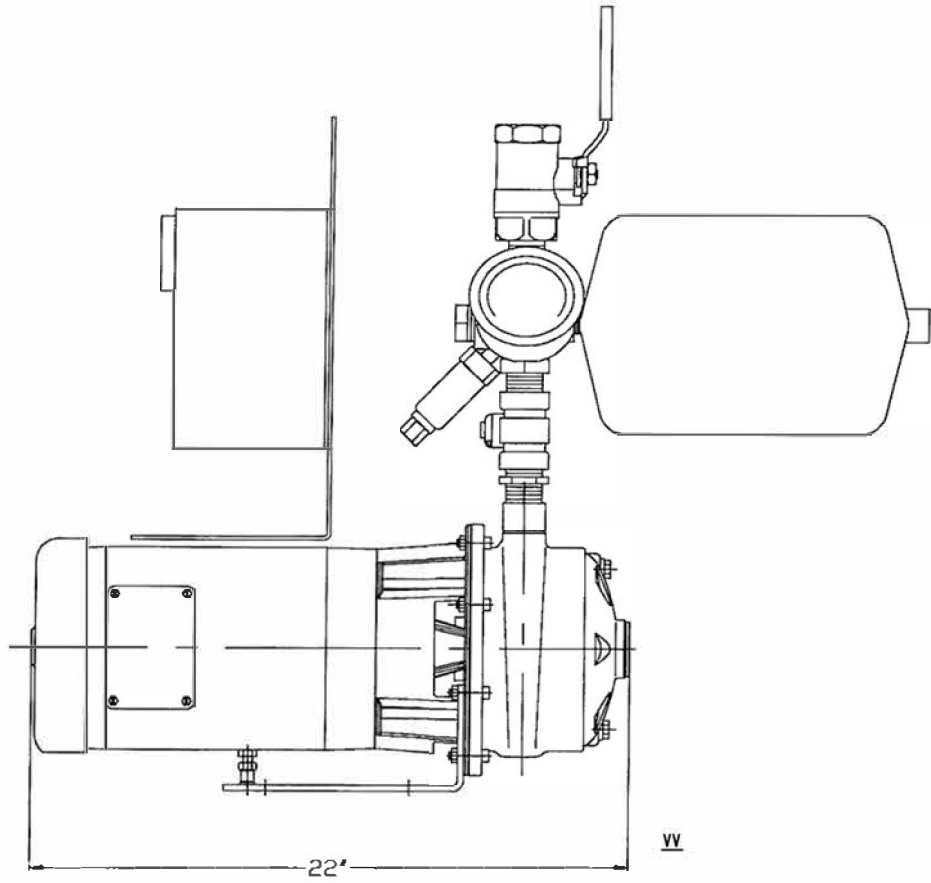




BILL OF MATERIAL		
ITEM	QTY	DESCRIPTION
1.	2	
2.	2	
3.	4	
4.	2	
5.	4	
6.	2	
7.	1	
8.	1	



SIDE VIEW



FRONT VIEW

NOTES:

REV	DESCRIPTION	DATE	OWN	CHKD	APVD	ECN

SCALE: N.A.	APPROVED BY:	DRAWN BY: A.SOCCORSO
DATE: 1/5/2009		ENGINEER: B. LITTLE
		DRAWING NUMBER: APS-01