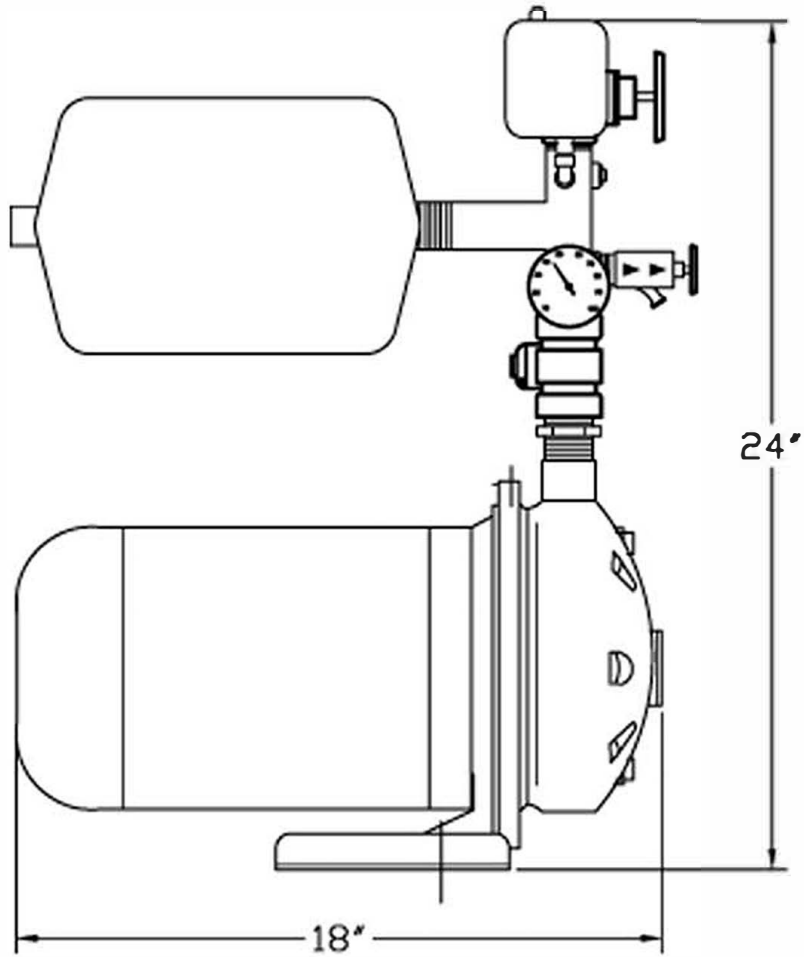
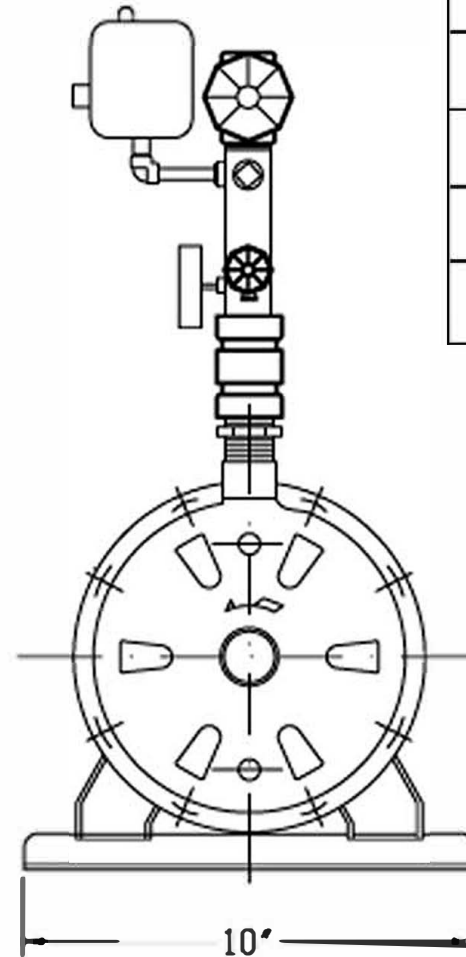


Service Factor Amps
Required at 230v

hp	SFA
.75	8.6
1	8.6
1.5	11.1
2	13.5
3	15.9



SIDE VIEW



FRONT VIEW



Legend I - 13D Residential Pump System

PO Box 69 Maple Park IL 60151

Phone: 630.272.7268

www.rpequipment.com