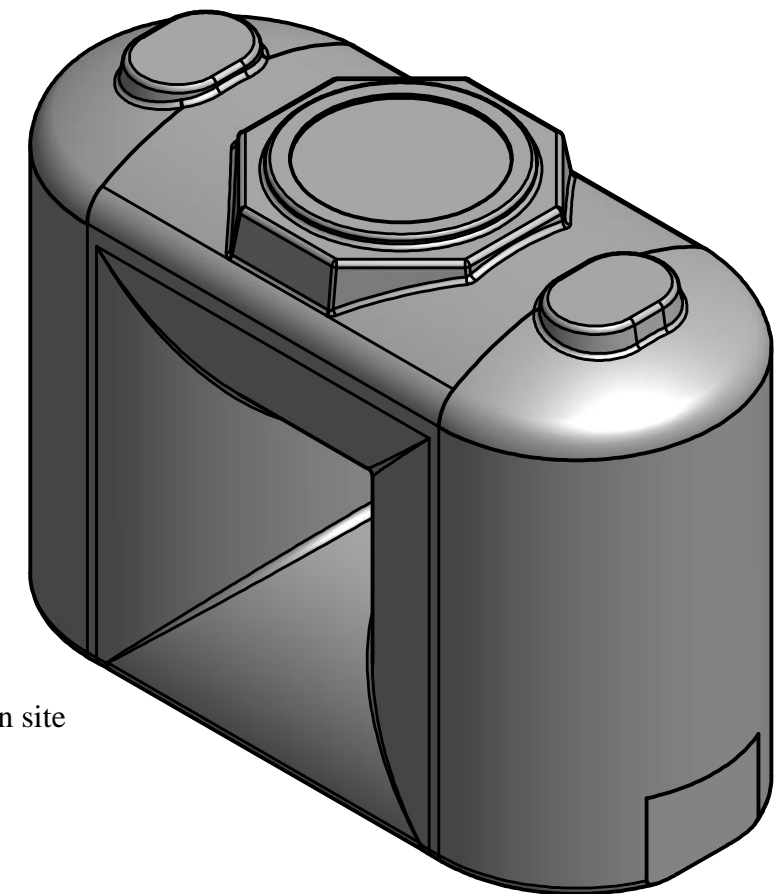
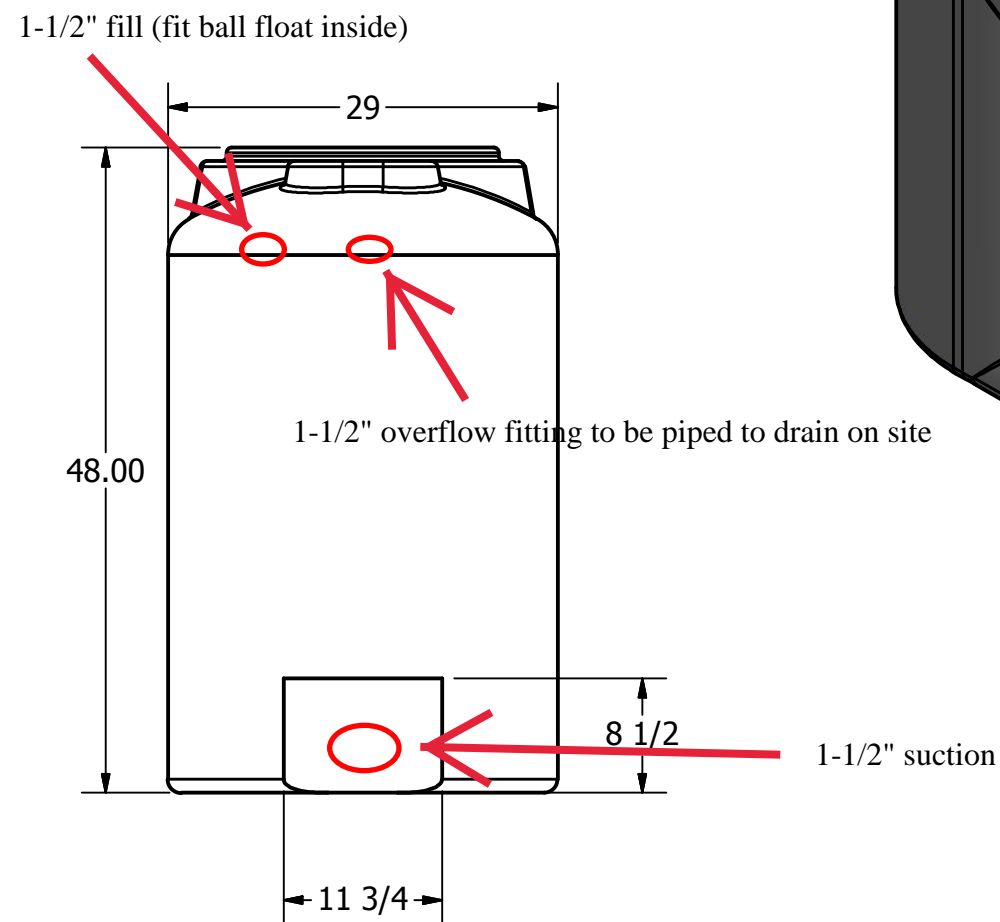


SECTION A-A
SCALE 0.07 : 1



DRAWN		TITLE 300 GALLON FREE STANDING TANK		
CHECKED				
QA				
MFG				
APPROVED				
		SIZE	DWG NO	REV
		SCALE: 1/16	SHEET 1 OF 1	